



Read Before Operating!

IMPORTANT OPERATING INSTRUCTIONS

THE DEUCE PITCHING MACHINE THROWS REAL REGULATION BALLS; HOWEVER, THE ACCURACY OF THE DEUCE DEPENDS ON THE QUALITY, HARDNESS AND TYPE OF BALLS YOU USE IN THIS MACHINE!

TREND SPORTS RECOMMENDS USING HEATER PITCHING MACHINE BALLS IN THE DEUCE MACHINE. THESE BALLS HAVE BEEN PRECISELY CRAFTED TO PROVIDE YOU WITH HOURS OF ACCURATE, TROUBLE FREE BATTING AND FIELDING PRACTICE.

Heater Pitching Machine Balls

_____ **Heater Pitching Machine Balls are recommended for use with the Deuce Machine.** These balls are incredibly accurate, long lasting, and produce the fastest ball speed.

Regulation Leather Balls:

_____ The Deuce Pitching Machine works well with real leather balls; however, accuracy will vary more than with pitching machine balls because the seams on leather balls cause the machine to pinch the ball differently on each pitch. Be sure and use real leather balls, not simulated leather balls. Batters should be aware at all times.

KNOWN PROBLEMS WITH SIMULATED (SYNTHETIC) LEATHER COVERED BALLS . . .

Simulated (synthetic) leather balls:

Simulated leather balls are inexpensive seamed balls that don't work well in the Deuce Machine. During operation, portions of the simulated leather cover comes off the ball and attaches to the wheels of the Deuce. Also, during operation, consumers have reported seeing small puffs of smoke coming out of the Deuce. These puffs are not smoke, but actual pieces of the simulated leather ball being turned into small dust particles as they pitch out of the Deuce Pitching Machine.

IF BALLS GET WET, THEY WILL NOT PITCH PROPERLY UNTIL THEY DRY.

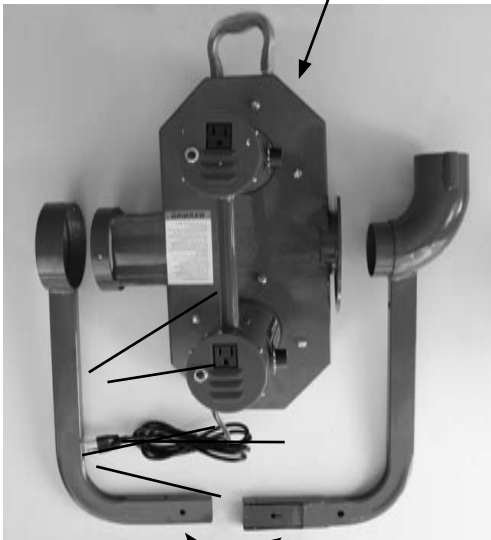
KNOWN FACTS ABOUT DIFFERENT BALLS:

The speed and accuracy of each pitch is dependent on the hardness, roundness, and type of each ball used.

For example: If you have 12 balls and four are softer than the others (these balls will throw lower than the other balls), if four are harder than the others (these balls will throw higher than the other balls), and if four are not round (these balls will throw inside and outside). THIS LEAVES THE USER WITH THE IMPRESSION THAT THE DEUCE PITCHING MACHINE IS INACCURATE WHICH IS NOT CORRECT.

DEUCE PARTS LIST

Duel Wheel Motor Housing



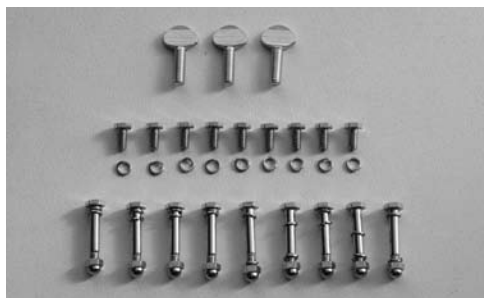
U-Brace Halves



Tripod Bracket



Tripod Leg Sections - Total 12



Tripod Leg Hardware

Tri-Pod Pivot Hole & U-shape Arm Hardware



Hex Head Bolt (Qty2)



Metal Washer (Qty 2)



Nylon Hex Nut (Qty 2)



Tri-Pod Slot Hardware



Carriage Bolt (Qty1)



Plastic Washer (Qty 2)



Metal Washer (Qty 1)



Teeth Washer (Qty1)



Knob (Qty1)



Pivot Head Hardware



Carriage Bolt (Qty1)



Plastic Washer (Qty 1)



Small Plastic Washer (Qty 1)



Metal Washer (Qty 1)



Teeth Washer (Qty1)



Knob (Qty1)



Ball Feeder Hardware





Baseball Pitching Machine Instructions

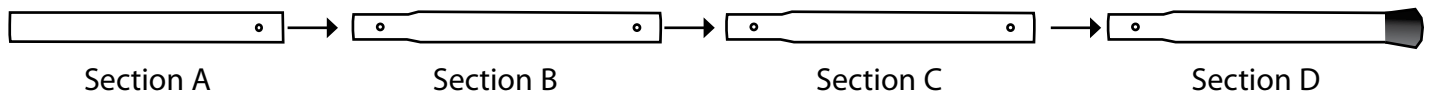
IMPORTANT

**DO NOT RETURN THIS PITCHING MACHINE TO THE RETAIL STORE WHERE PURCHASED.
CALL TOLL FREE: (800) 492-9334.**

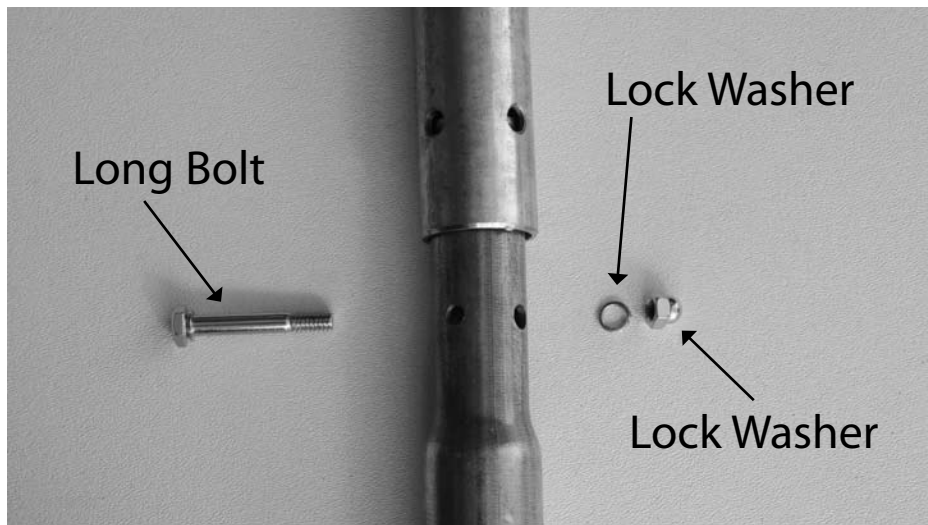
WARNING: THIS PRODUCT IS TO BE USED BY ADULTS ONLY. SERIOUS BODILY INJURY MAY OCCUR! MAKE SURE MACHINE IS TURNED OFF BEFORE ASSEMBLY! KEEP HANDS AND ALL BODY PARTS AWAY FROM BASE BALL ENTRY AND EXIT! SERIOUS HAND AND BODILY INJURY MAY OCCUR!

DEUCE LEG ASSEMBLY

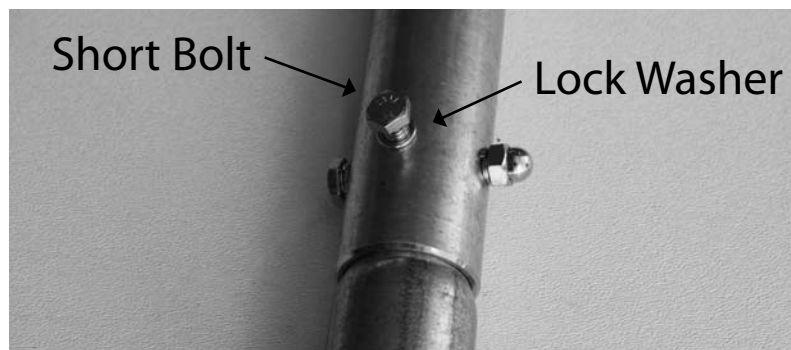
STEP 1: Slide Sections A - B - C - D Together.



STEP 2: Rotate Leg sections Until Larger Holes Line-up and Slide Long Bolt (3X) Through Hole. Slide On Lock Washer and Screw On Acorn Nut And Tighten.

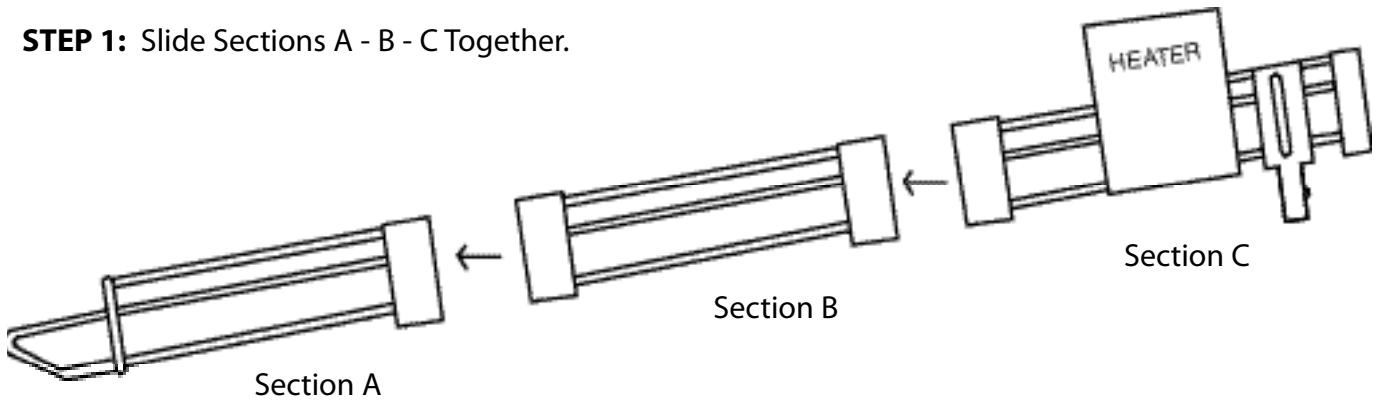


STEP 3: Screw 1/4" Short Bolt and Lock Washer Into Threaded Hole (3X) And Tighten.

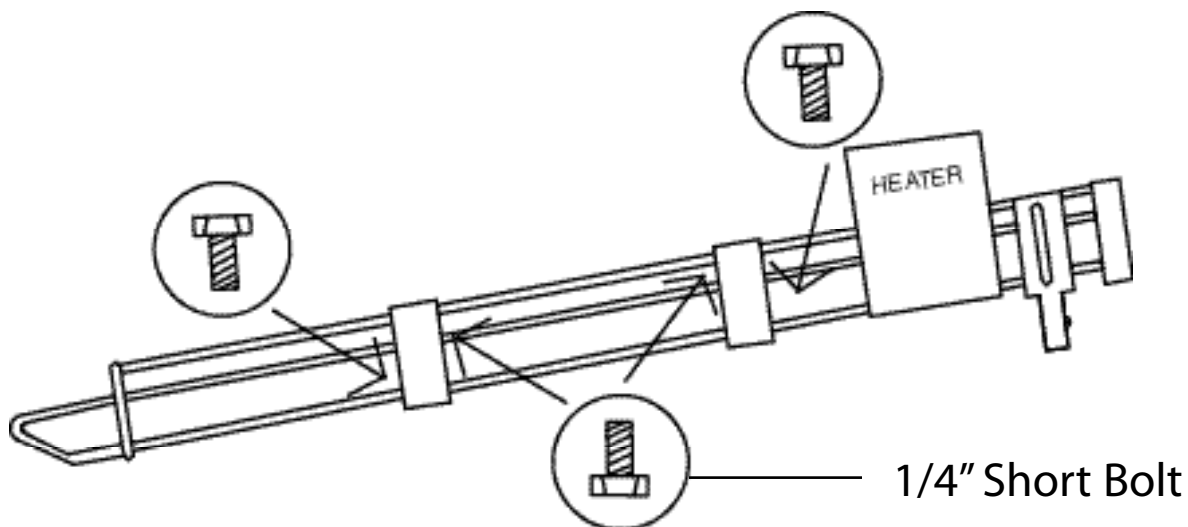


DEUCE AUTO-BALL FEEDER ASSEMBLY

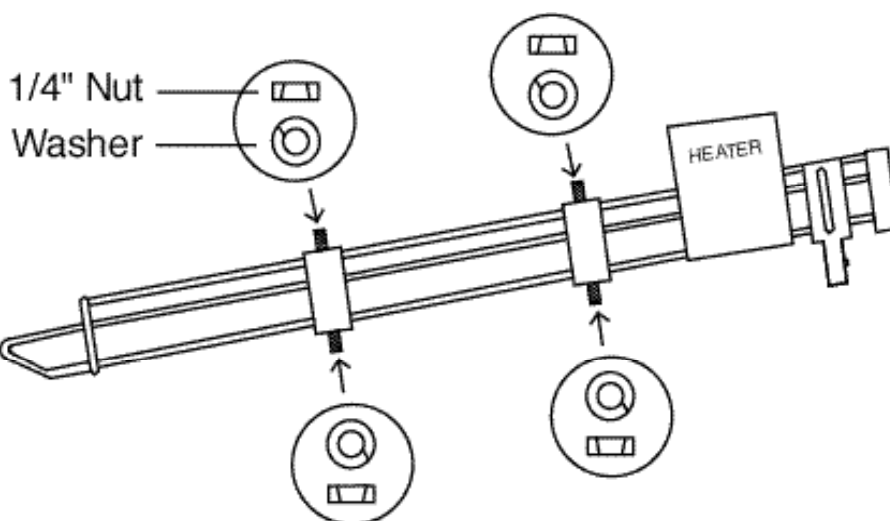
STEP 1: Slide Sections A - B - C Together.



STEP 2: Insert 1/4" Short Bolt From Inside Of Feeder Through Hole In Feeder Bracket (4X).



STEP 3: Place Washer Over Short Bolt. Screw on Nut And Tighten Nut (4X).



WARNING • WARNING

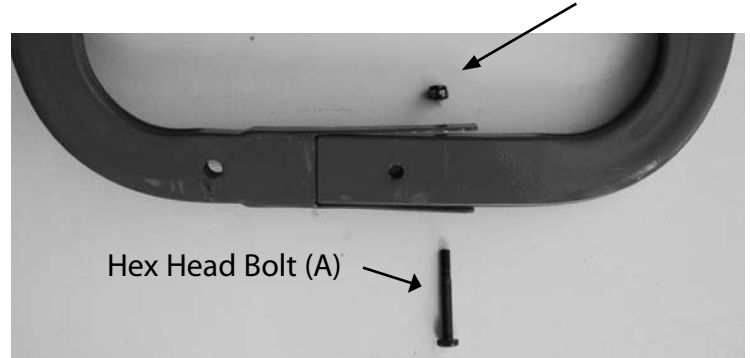
- Turn off pitching machine and auto-ball feeder motor when loading balls.
- Make sure batter is ready before turning on auto-ball feeder and machine.
- Make sure all persons stand clear of pitching machine and ball path.
- Make sure all persons are aware pitching machine is throwing balls automatically.
- Make sure machine operator is ready to turn off auto-ball feeder power switch if necessary.

DEUCE PIVOT ARM ASSEMBLY INSTRUCTIONS

STEP 1: Place motor housing and U-shape arms on the ground as shown. Slide the U-shape arms together, at the same time inserting the ball chute and the pivot ring.



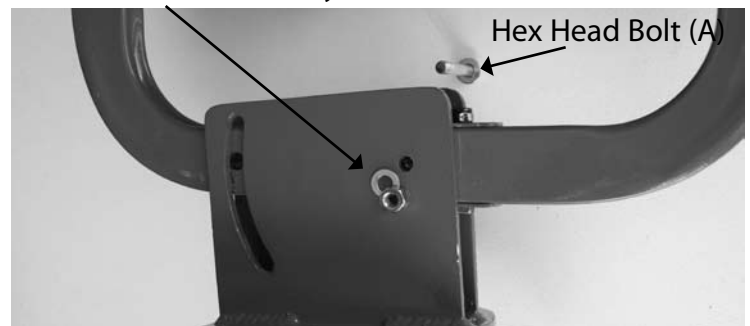
STEP 2: Insert Hex Head Bolt (A) through the U-shape arms as shown and secure with Nylon Hex Nut (C).



STEP 3: Slide the Tripod Bracket over the U-shape arms and align bolt holes. (*Make sure the swivle groove is toward the back of the machine*)



STEP 4: Place Hex Head Bolt (A) through the Tripod Bracket and U-shape arm and securely tighten with Metal Washer (B) and Nylon Hex Nut (C).



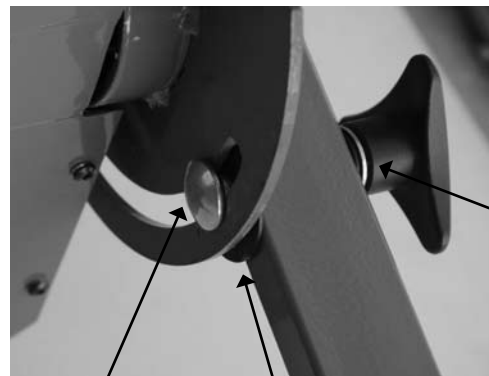
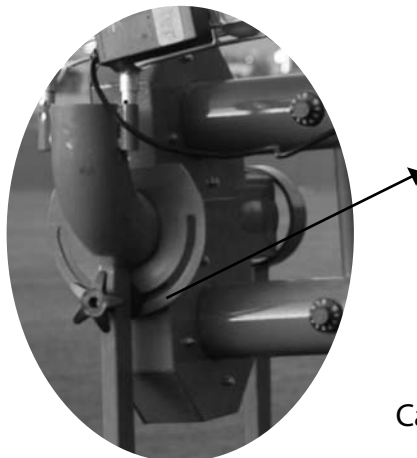
STEP 5: Push the two Black Plastic Washers in place between the Tripod Bracket and the U-shape arm as shown.



STEP 6: Align the washer holes and insert Carriage Bolt (D). Place Metal Washer (B) and Teeth Washer (G) on the bolt and tighten with the Plastic Knob (H).



STEP 7: Pivot Knob Assembly. Place the Black Plastic Washer (B) between the pivot groove and the U-shape arm. Insert the Carriage Bolt (D).

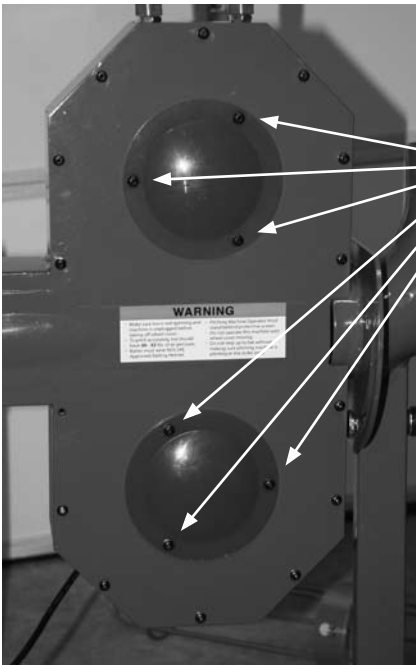


Carriage Bolt • Large Plastic Washer

Place the Small Plastic Washer, the Metal Washer, the Teeth Washer, and The Plastic Knob on the bolt in that order. Tighten.

Pre-Operating Instructions

Check The Air Pressure In The Deuce Pitching Machine Tires.



Warning: Make sure Deuce Pitching Machine is unplugged and the tires are not spinning during these operations.

Pre-Operation #1

Locate Allen Wrench (provided in package) and unscrew (6) six wheel cover screws for each wheel.

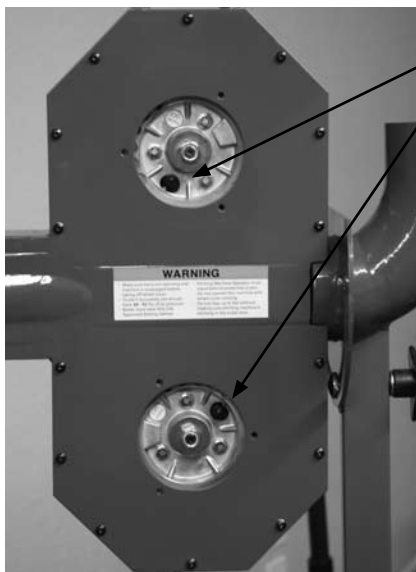
Important:

Make sure machine is unplugged and tires are not spinning during the following operations.

••• Periodically inspect the tires to make sure they are not worn out or punctured. Serious damage could result if operated in this condition
•••

Pre-Operation #2

Locate a tire Pressure Gauge and check tire air pressure. Tire pressure should be between 30 - 32 lbs. psi. If tire pressure reads low, use an air pump to inflate the tires to 30 - 32 lbs. psi. If tire pressure reads high, decrease the air pressure by pushing down the air stem bubble located in the middle of the air stem. ••Inspect the air pressure periodically to make sure air pressure is still within the 30 - 32 lbs. psi range. ••



Pre-Operation #3

Locate Allen Wrench (provided in package) and secure Wheel Covers back on machine by tightening (6) six Wheel Cover Screws.

Warning - Serious Bodily Injury: Never operate Deuce Pitching Machine until Wheel Covers are secured on the Deuce Pitching Machine with the (6) six Wheel Cover Screws.

Check Deuce Fuse Reset Button



Fuse Re-Set Button

The Deuce Pitching Machine has two fuse reset buttons which are designed to protect the electronic circuit in the Deuce Pitching Machine. If the Deuce will not turn on, check this button to make sure it is not popped out on both motors. If it is popped out, press it back in to reset the fuse circuit breaker. This should allow the Deuce to operate safely again.

Deuce™

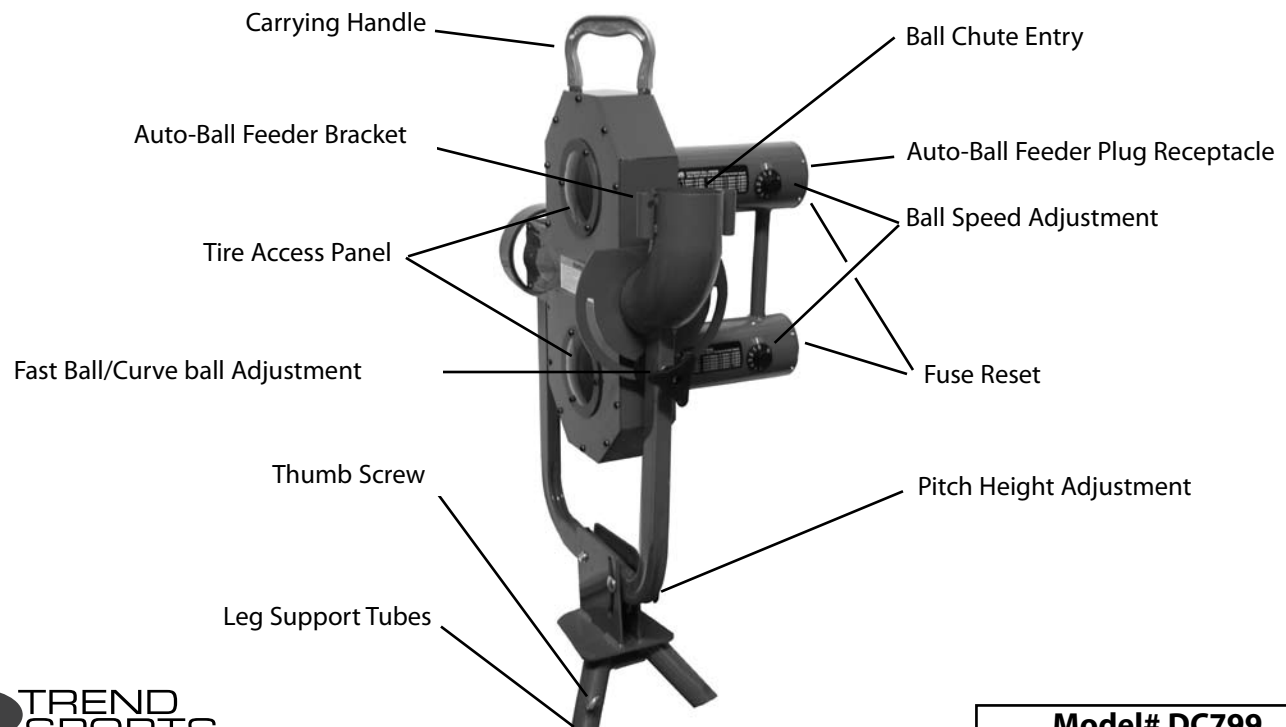
Operation Instructions

CAUTION!

USE HEATER PITCHING MACHINE BALLS FOR THE MOST ACCURATE PITCH POSSIBLE. PITCHING MACHINES THAT USE A WHEEL TO THROW BALLS WILL NOT THROW REAL BALLS AS ACCURATE BECAUSE OF THE SEAMS ON THE BALL.

IMPORTANT: THIS PRODUCT IS TO BE USED BY ADULTS ONLY. MAKE SURE MACHINE IS TURNED OFF BEFORE ASSEMBLY! KEEP HANDS AND ALL BODY PARTS AWAY FROM BALL EXIT! SERIOUS HAND AND BODILY INJURY MAY RESULT IF USED INCORRECTLY!

- Step 1: Slide galvanized steel legs into leg support tubes and tighten thumb screws.
- Step 2: Insert auto-ball feeder tubes into auto-ball feeder bracket (2X) and plug into receptacle.
- Step 3: Place balls into auto-ball feeder. (Make sure the pitching machine is not plugged in.)
- Step 4: Turn pitching machine variable speed control knobs off (counter-clockwise until you hear a click).
- Step 5: Plug pitching machine into 3 prong power outlet. (Make sure pitching machine wheel is not spinning.)
- Step 6: Aim pitching machine at desired target.
- Step 7: Make sure every person and everything is clear of pitching machine ball path.
- Step 8: Turn variable speed control knobs on to desired speed setting and turn on auto-ball feeder. *(Note: Setting each speed control to varying settings controls the amount of curve on the pitch)*
- Step 9: Make sure ball is pitching in desired strike zone before allowing a batter to step up to hit.
- Step 10: Adjust baseball pitch height by loosening the Pitch Height Adjustment Knob and rotating the Baseball Housing to desired location. Re-tighten Pitch Height Adjustment Knob.





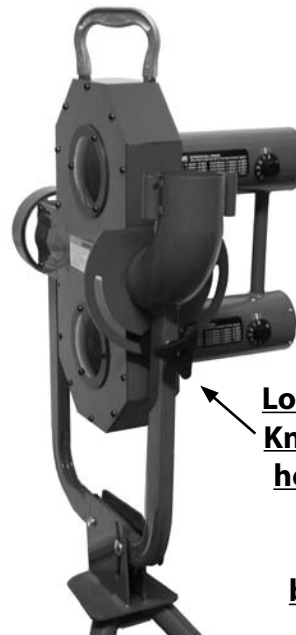
Fast Ball/Curve Ball Instructions

WARNING!

ROTATING THE HEAD OF THE DEUCE FROM FAST BALL TO CURVE BALL POSITIONS CHANGES THE DIRECTION AND TRAJECTORY OF THE PITCHED BALL. MAKE SURE NO PERSONS ARE IN FRONT OF MACHINE WHILE ADJUSTING FOR FAST BALL OR CURVE BALL PITCHES.



Break Left Curve



Loosen Pivot Head Knob to rotate the head left or right for inside and outside breaking balls.

Fast ball Position



Break Right Curve

CAUTION:

When machine is rotated for different pitch types, the ball direction changes. Make sure no persons are in front of machine until machine is aimed properly and pitching accurately at desired target.

WARNING!

- Do not put hands or fingers in pitching machine.
- Make sure all persons are clear of the ball path and away from pitching machine before pitching any ball.
- Make sure you pitch only one ball at a time.
- Make sure all balls are out of machine before turning the pitching machine on.
- Do not stand in front of pitching machine.
- Do not operate in moisture.
- Batter must wear NOCSAE Approved Batting Helmet.
- This machine may cause serious bodily injury if used improperly.
- For adult operation only.

WARNING!

- Heater pitching machine balls are the most accurate balls for use in the Deuce Machine. Real leather balls can be used but aren't as accurate because of the ball seams. Batter should be aware at all times.
- Always have legs set on the ground before pitching to a batter or the Deuce Pitching Machine may move and hit the batter causing serious physical injury.
- Make sure you pitch only one ball at a time.
- Pitching Machine Operator must stand behind protective safety screen.

WARNING • WARNING • WARNING

- **Make sure pitching machine is aimed and throwing properly before allowing batter to step up and hit balls pitched from the Deuce Pitching Machine.**
- Turn off pitching machine and auto-ball feeder motor when loading balls.
- Make sure batter is ready before turning on auto-ball feeder and machine.
- Make sure all persons stand clear of pitching machine and ball path.
- Make sure all persons are aware pitching machine is throwing balls automatically.
- Make sure machine operator is ready to turn off auto-ball power switch if necessary.
- Power Cords over 20 feet can lose energy and cause the Deuce to pitch slower than normal.

DEUCE SPEED CONTROL DIAL SPEEDS

Knob Setting = 10, Est. Speed = 75 MPH • Knob Setting = 5, Est. Speed = 40 MPH
Knob Setting = 9, Est. Speed = 68 MPH • Knob Setting = 4, Est. Speed = 33 MPH
Knob Setting = 8, Est. Speed = 61 MPH • Knob Setting = 3, Est. Speed = 26 MPH
Knob Setting = 7, Est. Speed = 54 MPH • Knob Setting = 2, Est. Speed = 20 MPH
Knob Setting = 6, Est. Speed = 47 MPH • Knob Setting = 0, Est. Speed = 0 MPH

Thank you for purchasing the Deuce Pitching Machine. If you have any questions or comments on how Trend Sports can improve the Deuce Pitching Machine, please call our 24 hour customer service hotline at (800) 492-9334.



Model# DC799